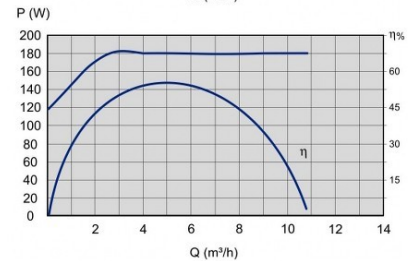
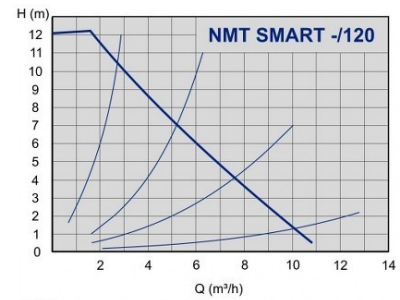


Tech. data: NMT SMART 25/120



CODE: 979523664
Energy class: EEI ≤ 0,21 - Part 2

TECHNICAL DATA:

Q max: 11 m³/h
H max: 12 m
System pressure: PN 10 bar

ELECTRICAL PARAMETERS:

Power: 10 - 180 W
Declared current: 0,1 - 1,5 A
Power supply: 1 ~ 230 V
Insulating class: F
Degree of protection: IP 44

INSTALLATION & MEDIUM:

Pipe connection: G 1 1/2 "
Port-to-port length: 180 MM
Liquid temperature range: +2 – +110 °C
Environment temperature range: 0 – 40 °C
Max. working pressure at 50/80/110°C: 0,05/0,8/1,4 bar

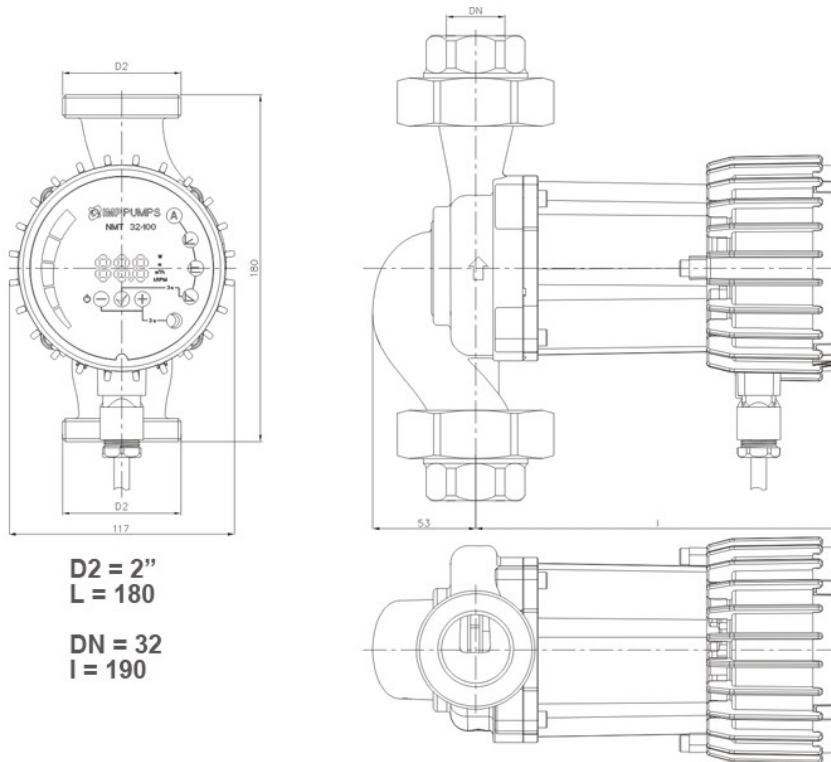
MATERIALS:

Impeller material: PES
Housing material: cast iron

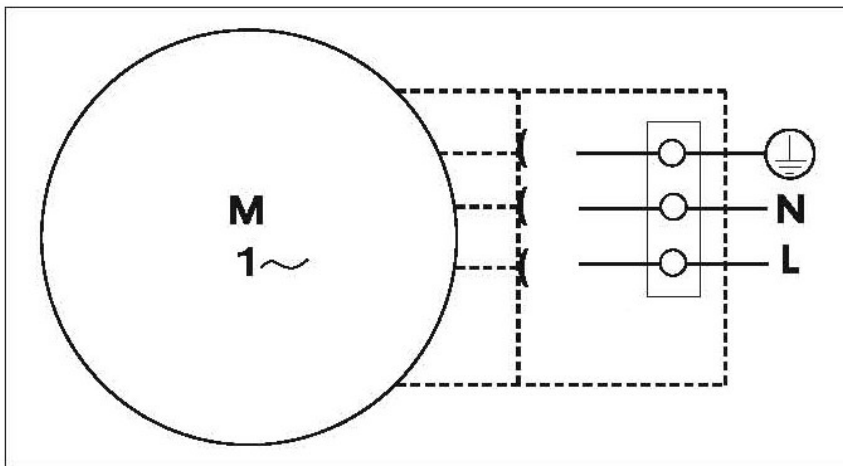
OTHERS:

Casing construction: single
Net weight: 3,2 kg
Gross weight: 3,9 kg
Volume of packaging: 0,015295 m³

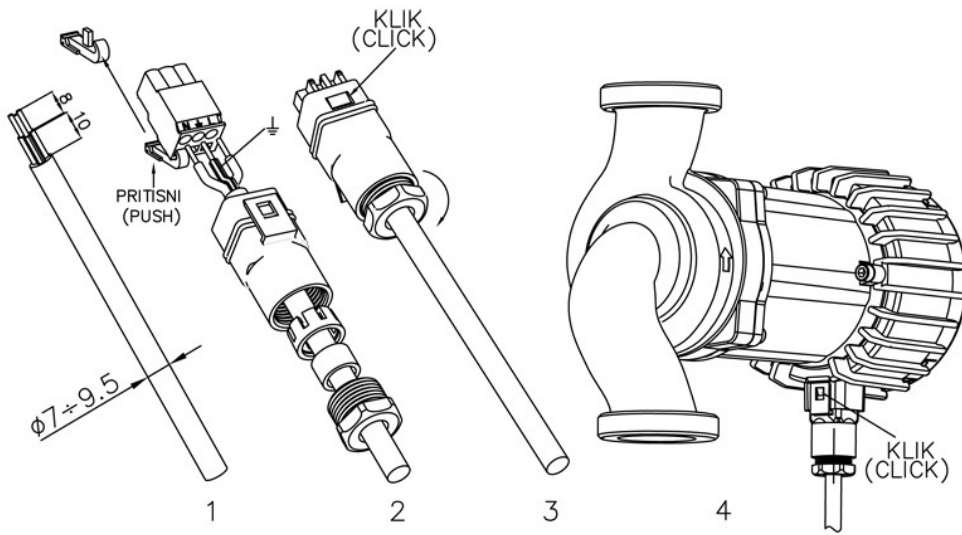
Diagram and el. wiring: NMT SMART 25/120



1



2



7350028 v.2